

Read these instructions completely before operating this system

PLEASE CHARGE THE BATTERY FIRST BEFORE USE!

Technical specifications

camera		
	Color camera with sapphire glass lens	
	Wide viewing angle	120°
	Illumination	12 white LEDs
	Operating temperature	-20°F ~ 120°F (-28°C ~ 50°C)
	Stainless steel house	Stainless steel 304
	PAL output	720X576(PAL)
	NTSC output	720X480(NTSC)
	Waterproof	IP68
cable		
	Special gold point touch connector to camera	
	Fiberglass cable	
monitor		
	7" TFT COLOR monitor	Picture Resolution:320 (TV Lines)
	OSD display	
	Video output	1Vpp 75 Ohms
power supply		
	Charge adaptor :110~240VAC ,12.6VDC /1000mA (included.)	
	Lithium battery box (2600mAh, included.)	
Dimensions		
	Case size	x x
	Camera	x

Save this Manual

Attention

1. Read the this manual carefully before using this system.
2. Avoid using the device in extreme cold, heat, or humidity , it may damage the device.
3. Do not drop or press hard on the device.
4. Do not disconnect the unit while recording or playing. It may damage the unit and/or the SD device.

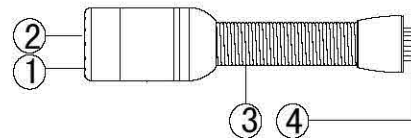
Applications

FOR PIPE DIAMETERS FROM 1inch TO 12 inches

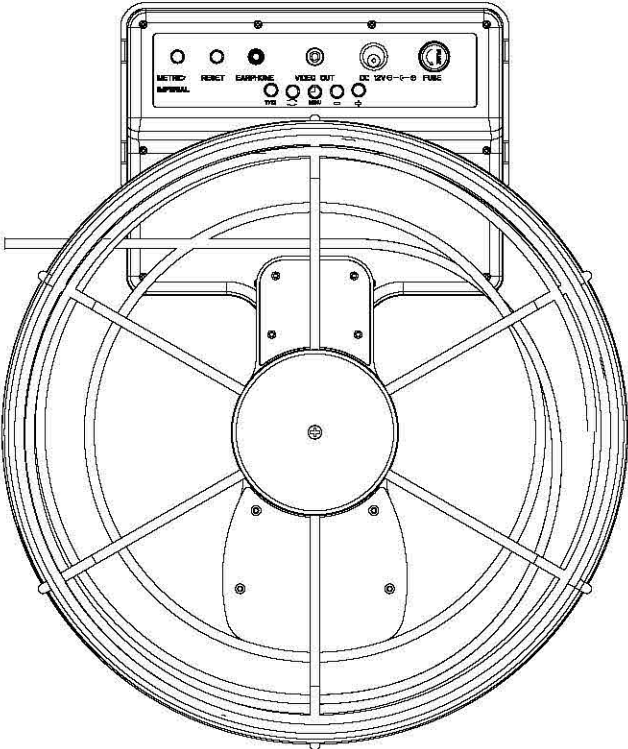
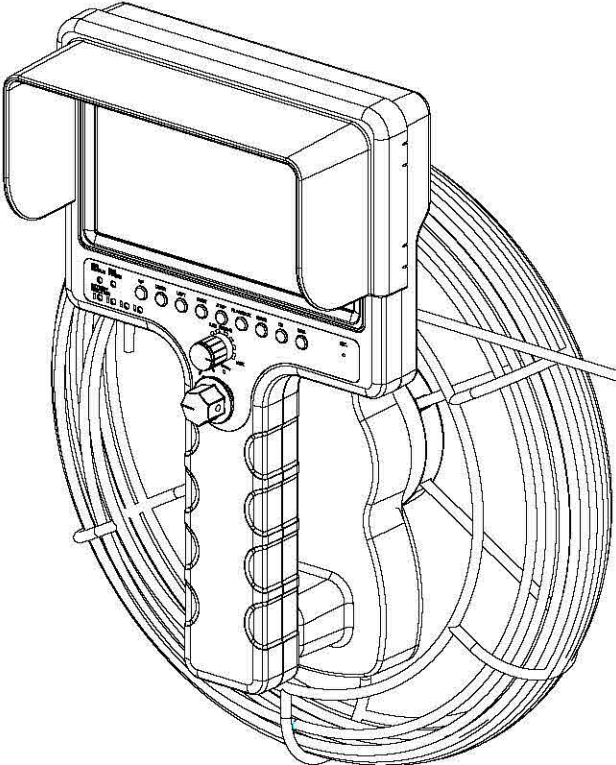
1. WATER SUPPLY
2. WASTE WATER
3. HVAC SYSTEMS
4. SWIMMING POOLS
5. SPAS
6. PLUMBING LINES
7. VACCUM SYSTEMS

Camera

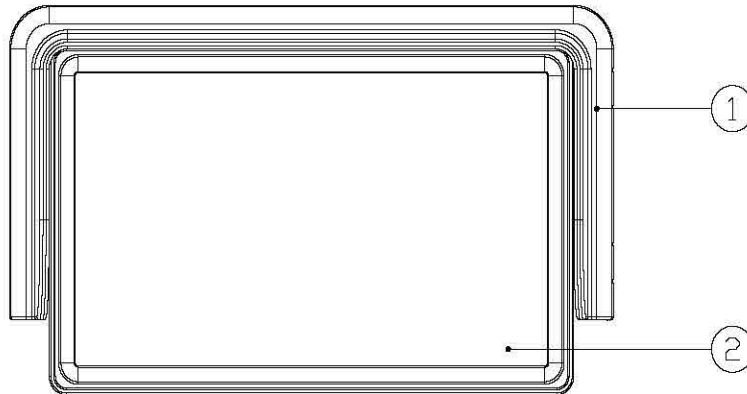
1. WHITE LEDS
2. LENS
3. SPRING
4. CONNECTER



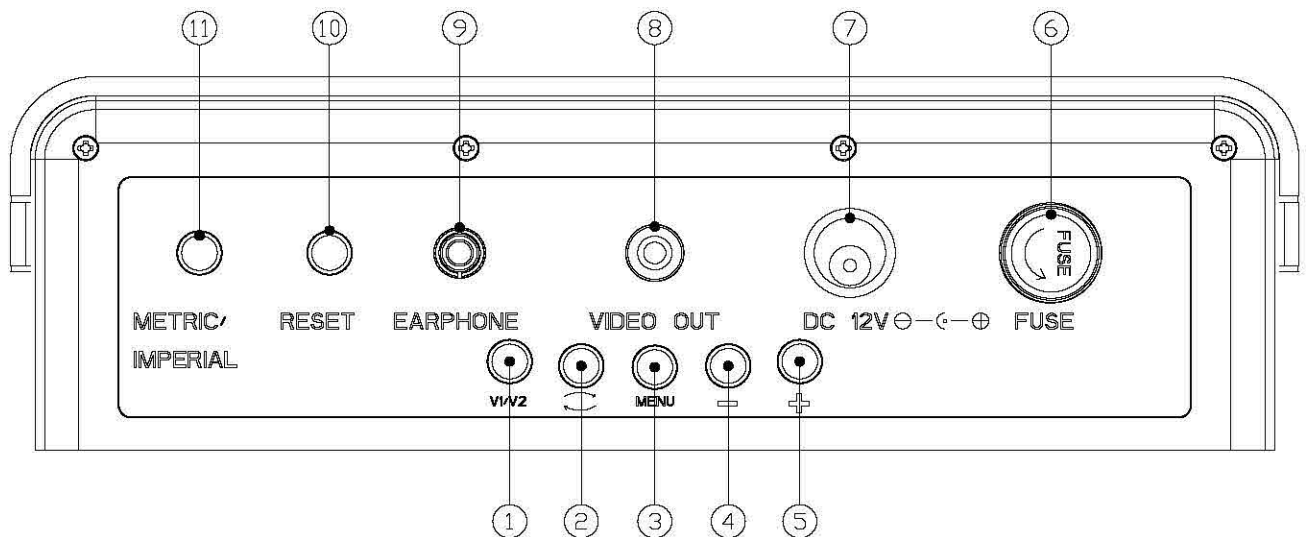
Know Your Tool



Monitor



1. sunshade
2. 7" monitor



1. Video1 video2 selector button
2. Image UP and down left and right button
3. Menu button (include bright contrast color language 16:9 4:3 sleep)
4. Sub menu down selector
5. Sub menu up selector
6. Fuse socket
7. Charge adaptor jack
8. Video output jack
9. Earphone jack
10. Count button- reset
11. Count button- metric/imperial

